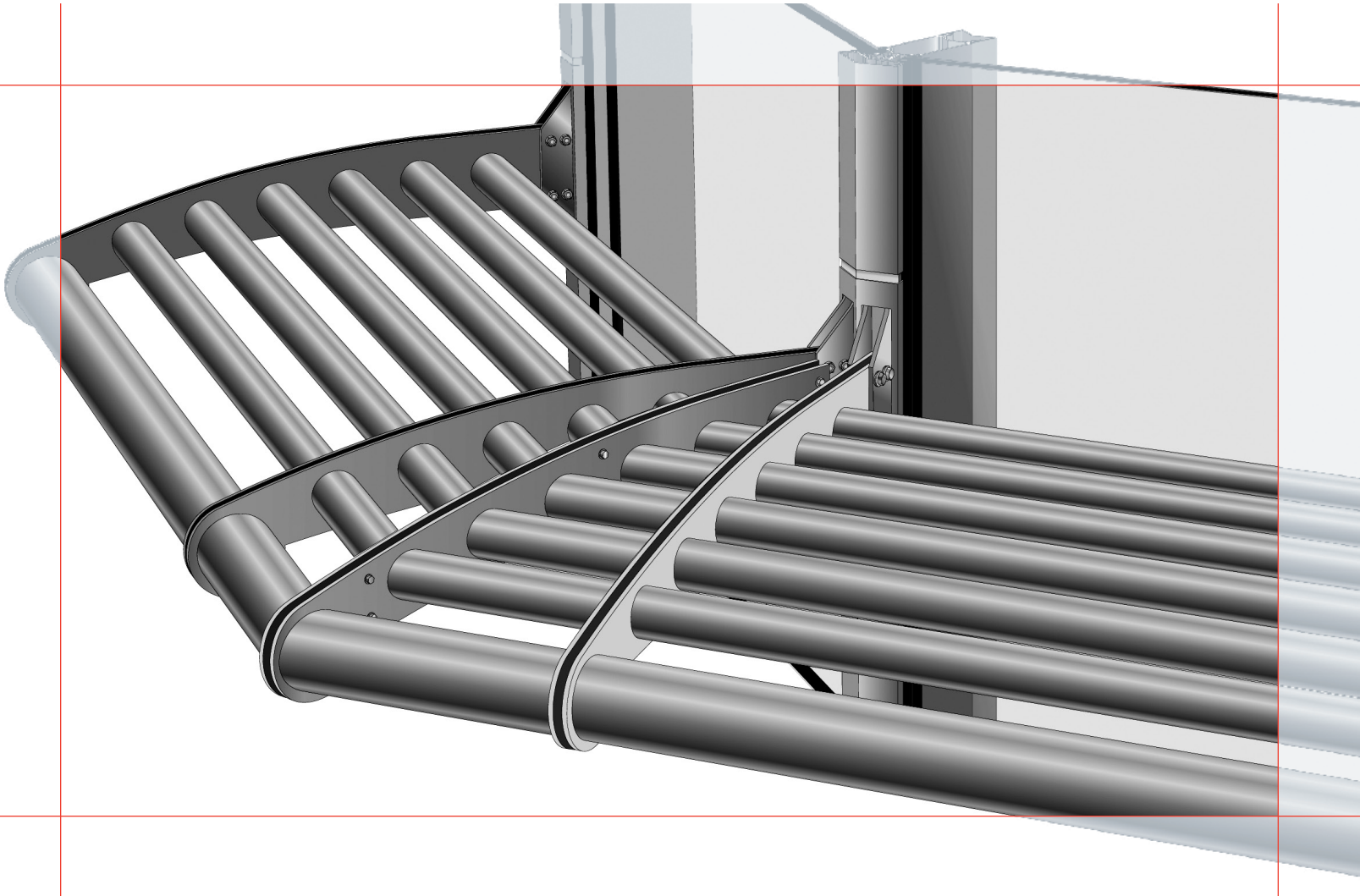


# More Options. More Shades of Versatility.



Kawneer's next-generation sunshade platform is now more versatile with the addition of Versoleil™ Outrigger SunShades. Pre-engineered for multiple curtain wall systems, the versatile system offers dozens of combinations of outriggers, louver blades and fascia caps to provide increased aesthetics, maximum shading and energy-saving potential. Versoleil™ SunShades, whether it's the Outrigger System or the Single Blade System, incorporate easily into any building envelope, helping your vision become reality for virtually any project under the sun.

#### **ENHANCED VERSATILITY**

Sleek and refreshing with new creative blade designs, Versoleil™ Outrigger SunShades are easily installed on Kawneer curtain wall systems. Features, including multiple outrigger depth options and standardized corners in several configurations, enhance aesthetics as they increase the comfort and efficiency of the building. Not only can Versoleil™ SunShades help contribute to Leadership in Energy and Environmental Design (LEED®) certification, they are tough performers, engineered and tested to withstand combined wind, snow and dead loads. Versoleil™ SunShades continue to set the industry standard for form and function.

**PERFORMANCE**

The Outrigger System continues to deliver the unmatched breadth and depth of application that Versoleil™ SunShades are known for. Standardized options of 30" and 36" outrigger depths address specific project needs with superior shading capabilities that reduce solar heat gain to help maximize energy savings and reduce glare.

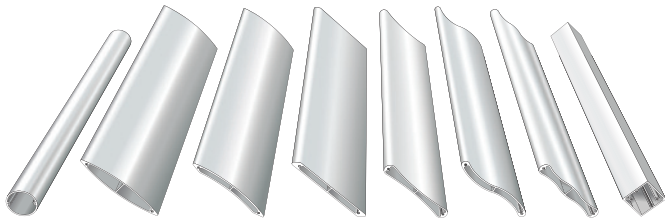
To assist with product design, advanced finite element analysis was used extensively. In addition, to ensure performance criteria were being met, the system was subjected to a rigorous testing regimen. The end result is a pre-engineered solution that allows for efficient integration of Versoleil™ SunShades into the building envelope design.

Engineering of common parts and pieces allows for easy fabrication and installation of the Outrigger System. The uniform approach for attaching to various curtain wall platforms allows customers to quickly gain familiarity with the system and installation practices.

Calculating the shading performance of Versoleil™ SunShades is easier with Kawneer's Solector® Sun Shading Estimator. Created for use early in the design phase, this tool helps determine how Versoleil™ SunShade's outrigger depth, blade type and location impact its shading performance.

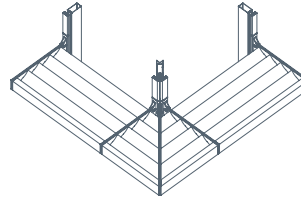
**AESTHETICS**

Beyond shading interiors and conserving energy, Versoleil™ SunShades add aesthetic appeal to any building envelope. With the ability to be seamlessly incorporated into multiple Kawneer curtain wall platforms, the Outrigger System gives architects increased design freedom. Sleek blade designs that marry functionality with aesthetics include circular, airfoil, arch, planar, flare, wave, infinity and diamond/square. Standard outrigger options have matching fascias that include round, square, wedge and curved.

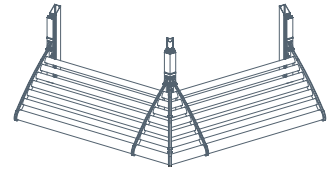


**Versoleil™ Outrigger SunShade Blade Options**  
(From left) circular, airfoil, arch, planar, flare, wave, infinity, diamond/square

Standardized 90° and 135° inside and outside corner options add distinctive character to a building's façade. Shallow curtain wall covers are standard, while a deep cover option offers an alternative look. More information on corners and combinations of outriggers, blades and fascias are in the Kawneer architectural detail manual located on Kawneer.com.



Shown with 30" square outrigger, wave blade, rectangular fascia and shallow cover.



Shown with 36" curved outrigger, circular blade, circular fascia and shallow cover.

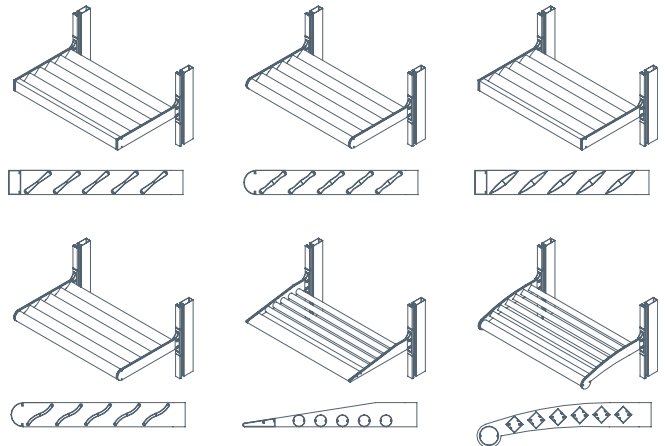
**SUSTAINABILITY**

The market is rapidly sharpening its focus on energy conservation in commercial building design. When Versoleil™ SunShades are strategically placed, they allow for maximum daylighting while minimizing direct sunlight penetration and reducing solar heat gain. In addition to increased sun control and energy savings, Versoleil™ SunShades can help earn LEED® credits in three categories:

- Materials & Resources – Recycled Content
- Energy & Atmosphere – Optimize Energy Performance
- Indoor Environmental Quality – Daylight and Views

**FOR THE FINISHING TOUCH**

Architectural Class I anodized aluminum finishes are available in clear and color choices. Painted finishes, including fluoropolymer, that meet AAMA 2605 standards and solvent-free powder coatings that meet AAMA 2604 standards are available in a variety of color choices.



These drawings illustrate just a few of the ways Versoleil™ Outrigger SunShades can be combined to create a wide variety of design elements.

